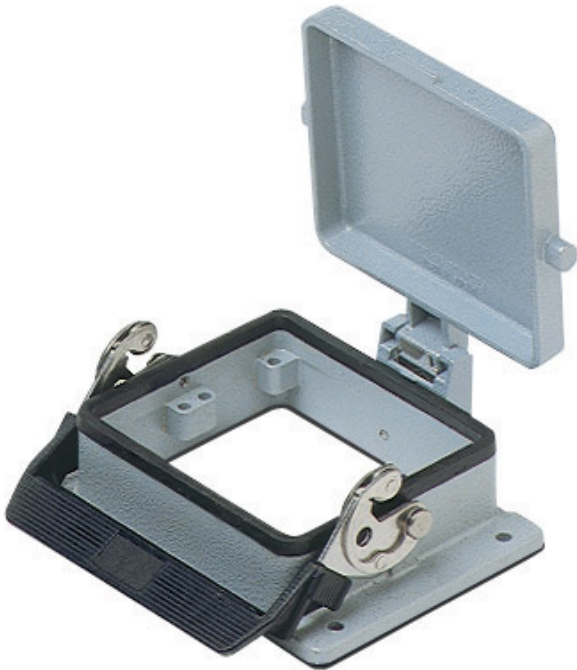


Part number



# CHI 32 LS



## Brief description:

bulkhead mounting housings with single lever, size "77.62", metal cover, metal version, IP65

Product description	
Version	metal version
Series	bulkhead mounting housings with single lever
Product type	with 1 lever
Variant	metal cover
Family	CLASS enclosures
Size	size "77.62"
Technical data	
Material	metal
IP degree of protection	IP65
Further technical details	
Weight	314,00 g

Approvals / Standards	
Quality mark	 (type:4/4X/12),  , EAC
Conformity	CQC, CE
General ordering information	
EAN13 code	8015747018593
Tariff number	85369095
Packaging Information	
Packaging length	270,00 mm
Packaging height	130,00 mm
Packaging width	135,00 mm
Packaging weight	1,45 kg
Packaging volume	4,74 dm <sup>3</sup>
Packaging description	Carton box
Packaging quantity	4 Pcs
Packaging EAN code	8015747212861
Sub-packaging weight	0,36 kg
Sub-packaging description	Plastic pakaging
Sub-packaging quantity	1 Pcs
Sub-packaging EAN barcode	8015747018616

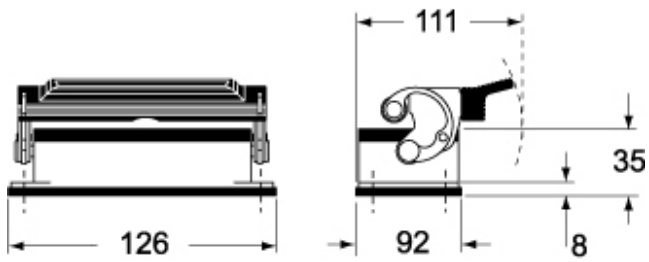
Part number

# CHI 32 LS

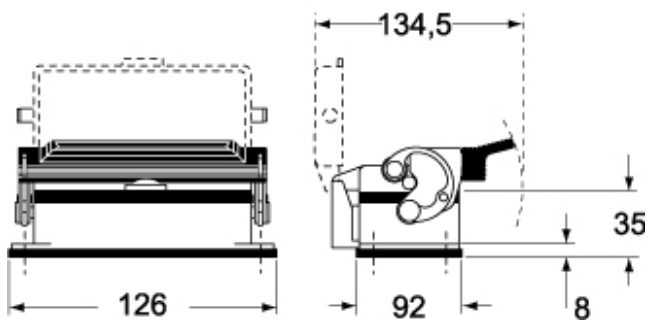


Catalogue drawings

## CHI L



## CHI LS



Catalogue drawings

